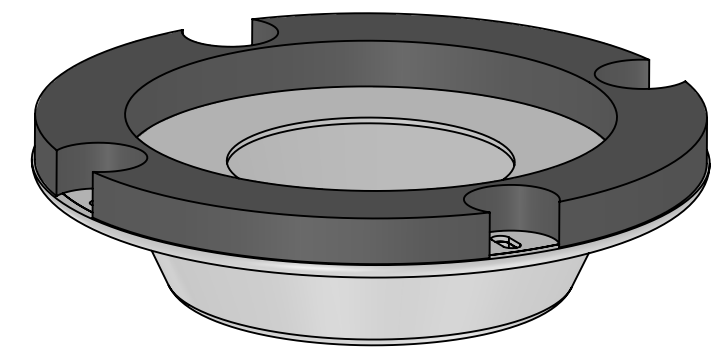
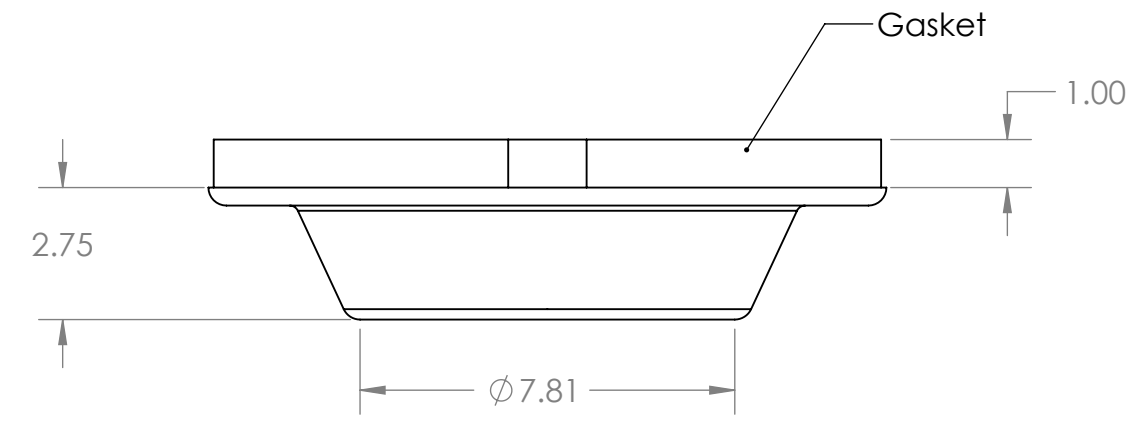


8 7 6 5 4 3 2 1

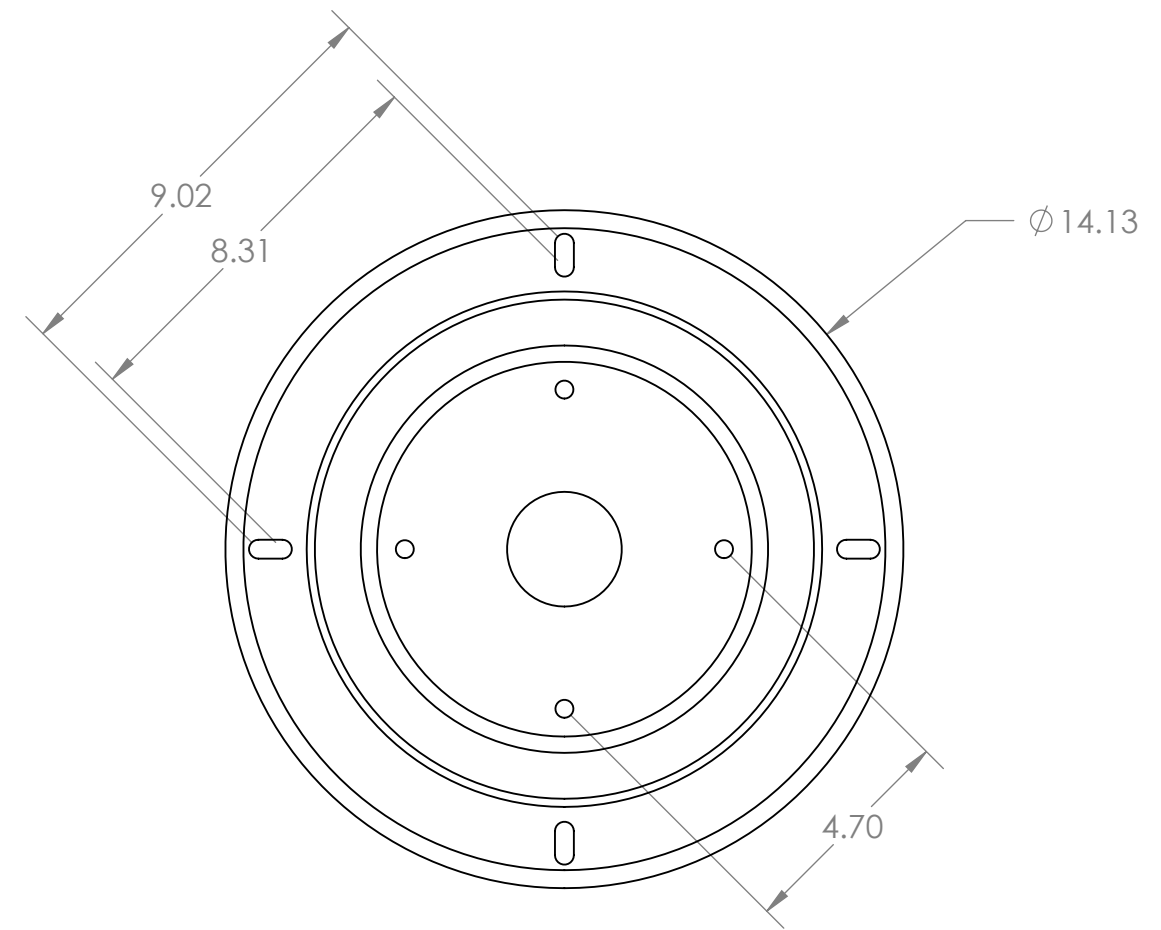
D

D



C

C



B

B

A

A

PROPRIETARY AND CONFIDENTIAL
 THE INFORMATION CONTAINED IN THIS DRAWING IS THE SOLE PROPERTY OF <INSERT COMPANY NAME HERE>. ANY REPRODUCTION IN PART OR AS A WHOLE WITHOUT THE WRITTEN PERMISSION OF <INSERT COMPANY NAME HERE> IS PROHIBITED.

		UNLESS OTHERWISE SPECIFIED:		NAME	DATE	PYI Inc.			
		DIMENSIONS ARE IN INCHES	DRAWN					TITLE:	
		TOLERANCES:	CHECKED			Arch adapter			
		FRACTIONAL \pm	ENG APPR.			for 18" Satdomes			
		ANGULAR: MACH \pm BEND \pm	MFG APPR.			SIZE	DWG. NO.	REV	
		TWO PLACE DECIMAL \pm	Q.A.			B	AMA-18		
		THREE PLACE DECIMAL \pm	COMMENTS:				SCALE: 1:4	WEIGHT:	SHEET 1 OF 1
		INTERPRET GEOMETRIC TOLERANCING PER:							
		MATERIAL							
NEXT ASSY	USED ON	FINISH							
APPLICATION		DO NOT SCALE DRAWING							

8 7 6 5 4 3 2 1